

PROOF

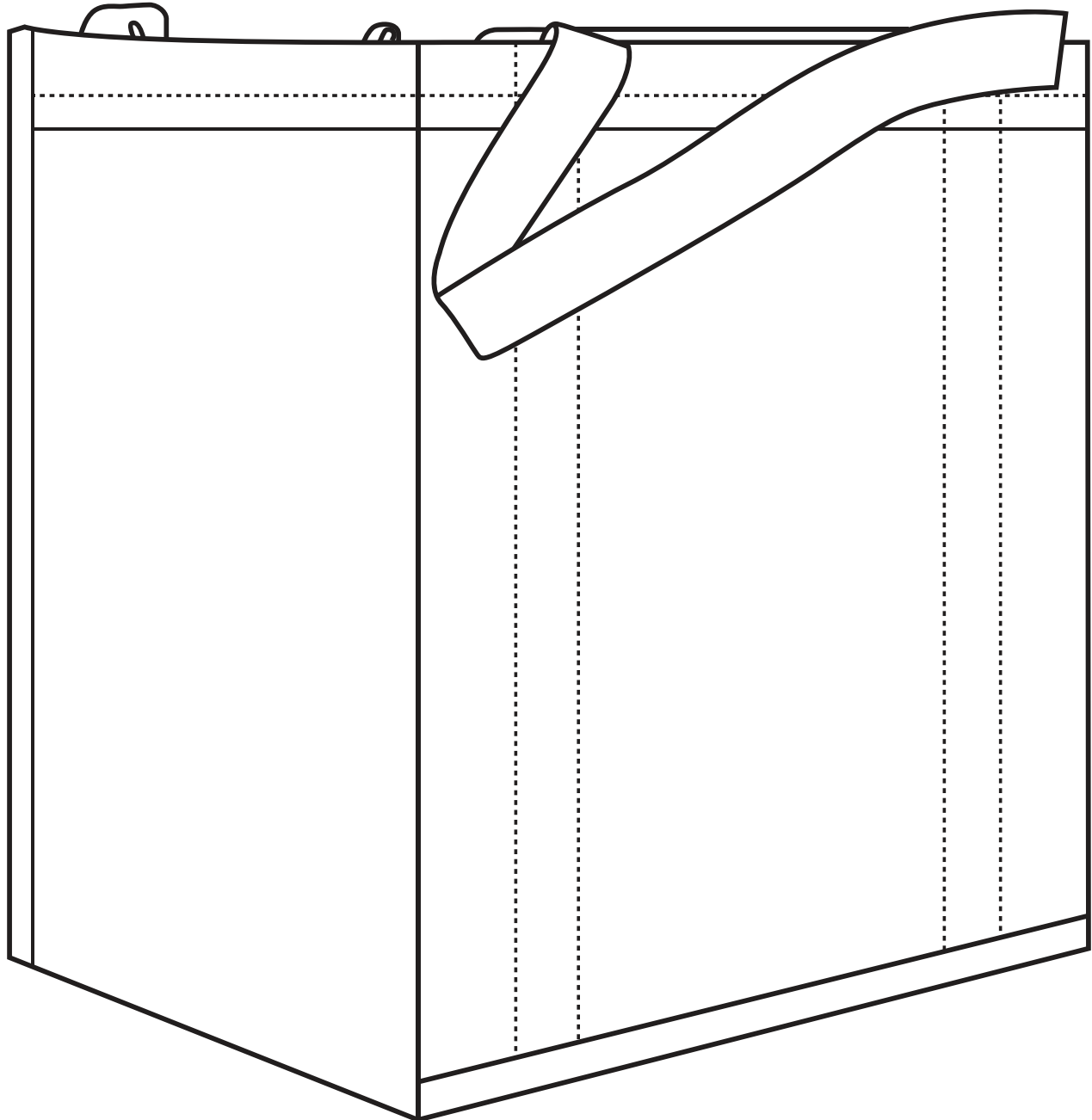
Job  
Initials Date

## SM-7427 - Hercules Non-Woven Grocery Tote

**Imprint Color:** XXX

**Art Size:** XX" W x XX" H

**Imprint area:** ColorPrint per side: 10" H x 5" W  
PhotoGrafixx-6 per side: 10" H x 5" W  
ColorPrint centered on handle: 3/4" H x 6" W  
ColorPrint centered on gusset: 5" H x 5" W



NOTE: Image is for illustrative purposes only. Please reference stated logo dimensions, PMS colors (if applicable) and logo placement information when approving this proof. Actual product specs and color may vary from final product. Items do not appear as actual size.

