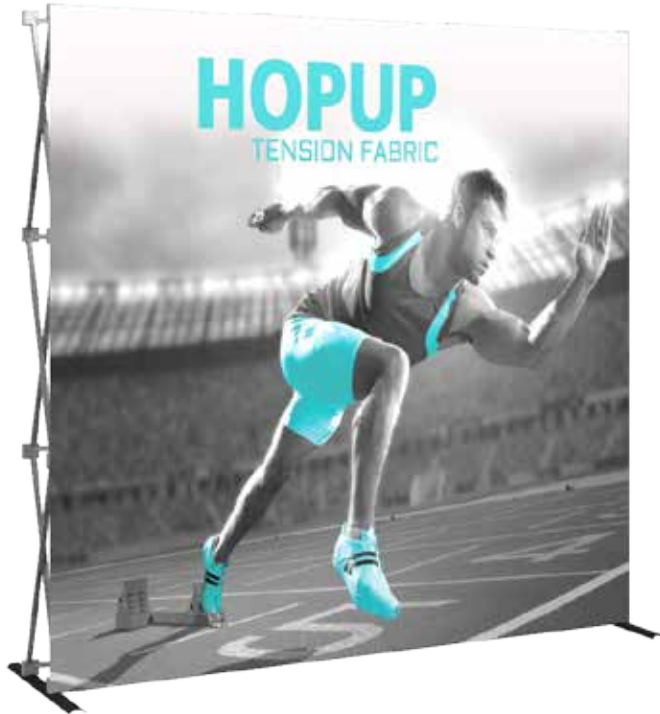


# Hopup

A variety of sizes, kits and options of Hopup displays are available.

Hopup tension fabric displays are simple, versatile and can be set up in seconds. Hopups feature a lightweight, durable frame that holds a curved or straight fabric mural. Simply attach the graphic, pop (expand) the frame and you have an exhibit. All curved and straight Hopups are available with and without end caps.



Stabilizer feet on all straight frames 3 quads high



In-molded Velcro end-caps



We are continually improving and modifying our product range and reserve the right to vary the specifications without prior notice. All dimensions and weights quoted are approximate and we accept no responsibility for variance. E&OE. See Graphic Templates for graphic bleed specifications.

## features and benefits:

- Lighter weight anodized silver frame with a smaller footprint
- Stabilizer feet on all straight frames 3 quads high
- Grey in-molded Velcro end caps
- Supports an integrated fabric graphic mural (end caps also available)
- Easy assembly
- Rolling carry bag included with all units
- LED lighting available
- Lifetime hardware warranty against manufacturer defects
- Graphics sizes changed slightly due to new frame sizes yet old graphics are compatible with new frames

## dimensions:

Hardware:

### Straight Frames:

- 1x1: 31" w x 31" h x 12.25" d
- 1x3: 31" w x 90" h x 29" d
- 2x1: 60.5" w x 31" h x 12.25" d
- 2x2: 60.5" w x 60.5" h x 12.25" d
- 3x2: 89.5" w x 60.5" h x 12.25" d
- 2x3: 60.5" w x 90" h x 29" d
- 3x3: 89.5" w x 90" h x 29" d
- 4x3: 119" w x 90" h x 29" d
- 4x4: 119" w x 119" h x 29" d
- 5x3: 147.25" w x 90" h x 29" d
- 6x3: 178" w x 90" h x 29" d

### Curved Frames:

- 1x3: 31" w x 90" h x 12.25" d
- 2x1: 64" w x 31" h x 12.25" d
- 2x2: 64" w x 60.5" h x 12.25" d
- 3x2: 92" w x 60.5" h x 12.25" d
- 2x3: 64" w x 89.5" h x 12.25" d
- 3x3: 92" w x 89.5" h x 12.25" d
- 4x3: 116.25" w x 89.5" h x 12.25" d
- 4x4: 116.25" w x 119" h x 12.25" d
- 5x3: 136.5" w x 89.5" h x 12.25" d
- 6x3: 154" w x 89.5" h x 12.25" d

Shipping: All kits ship in one box

### Straight Frames:

- 1x1: 37" l x 10" w x 10" h / 10 lbs.
- 1x3: 37" l x 10" w x 10" h / 10 lbs.
- 2x1: 37" l x 10" w x 10" h / 12 lbs.
- 2x2: 37" l x 10" w x 10" h / 16 lbs.
- 3x2: 37" l x 13" w x 12" h / 21 lbs.
- 2x3: 37" l x 13" w x 12" h / 24 lbs.
- 3x3: 37" l x 13" w x 12" h / 28 lbs.
- 4x3: 37" l x 15" w x 13" h / 35 lbs.
- 4x4: 36" l x 15" w x 13" h / 34 lbs.
- 5x3: 37" l x 15" w x 13" h / 37 lbs.
- 6x3: 36" l x 18" w x 13" h / 43 lbs.

### Curved Frames:

- 1x3: 37" l x 10" w x 10" h / 10 lbs.
- 2x1: 37" l x 10" w x 10" h / 12 lbs.
- 2x2: 37" l x 10" w x 10" h / 16 lbs.
- 3x2: 37" l x 13" w x 12" h / 21 lbs.
- 2x3: 37" l x 13" w x 12" h / 20 lbs.
- 3x3: 37" l x 13" w x 12" h / 25 lbs.
- 4x3: 37" l x 15" w x 13" h / 32 lbs.
- 4x4: 36" l x 15" w x 13" h / 35 lbs.
- 5x3: 37" l x 15" w x 13" h / 35 lbs.
- 6x3: 36" l x 18" w x 13" h / 43 lbs.

Graphics:

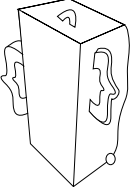
Refer to related graphic template for more information.

Visit [exhibitors-handbook.com/graphic-templates](http://exhibitors-handbook.com/graphic-templates)

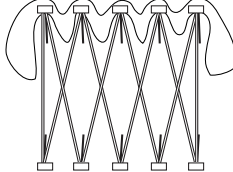
## additional information:

- Replacement parts available for old and new Hopup
- Refer to page 4 for curved Hopup frame footprints
- Refer to page 5 for straight Hopup frame footprints
- Lights & accessories are available
- 4x3 Hopup now packs with a rollerbag into the OCX or OC-HOP case (both optional upgrade)

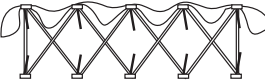
SET-UP:  
GRAPHIC COMES ATTACHED



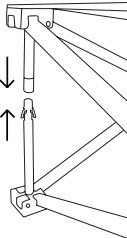
Remove unit from rolling bag. 1



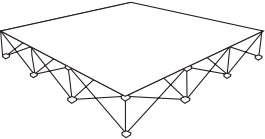
Stretch frame to size. Make sure webbing is not wrapped around purple locking arms. 2




Pull frame outward and align purple locking arms. 3



Snap all purple locking arms into place. 4

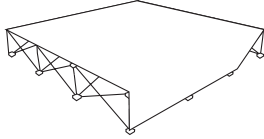


Once unit is locked, lift frame into place. \*Graphic ships pre-attached to frame 5

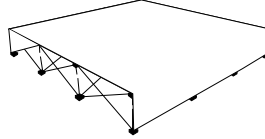


Unit is complete 6

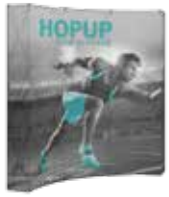
TO ATTACH END CAPS



Pull end caps down to corner of frame and attach to Velcro on grey hubs. Repeat for each corner. 7

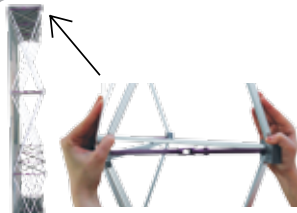


Repeat on opposite side. 8



Lift frame into place. Unit is complete. 9

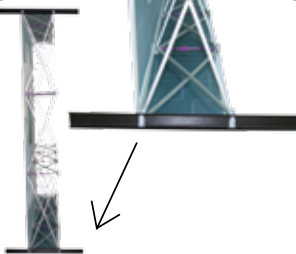
ATTACH STABILIZER FEET TO FRAMES 3 QUADS HIGH




After applying graphic, flip Hopup on its side to access bottom hubs. 1



Start with the largest end of the opening; Slide stabilizer foot over both hubs. Feet will fit snugly over hubs. 2

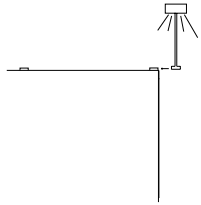


Move to other hubs on the same side of the frame; slide second foot over hubs. 3



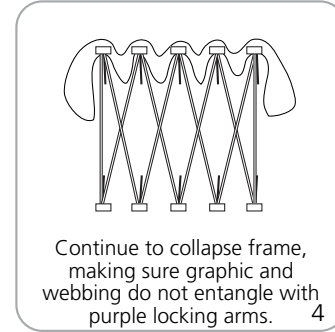
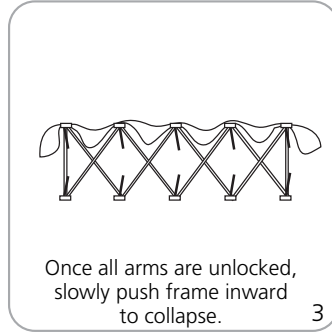
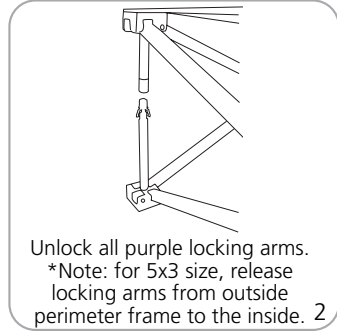
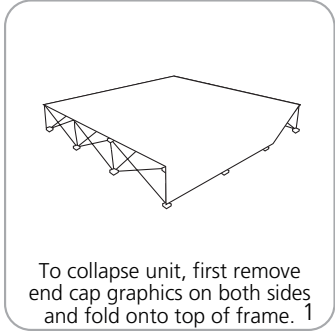
Once finished, flip frame right side up. Unit is complete. 4

TO ATTACH LIGHTS



Slide light onto light base on top of frame. 1

## TO COLLAPSE



## to ensure quality, please note:



If the webbing is wrapped around the purple locking arm, the arm can snap off when opening the unit.



When setting up, ensure that the arms are aligned. If not, the arms will snap when pressure is applied.



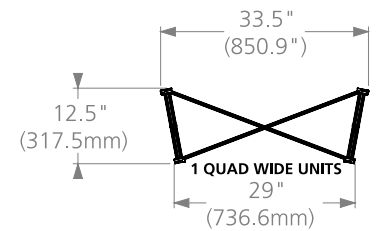
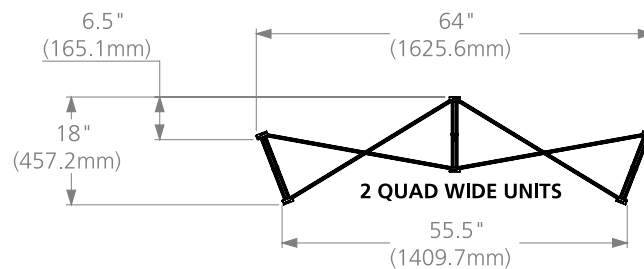
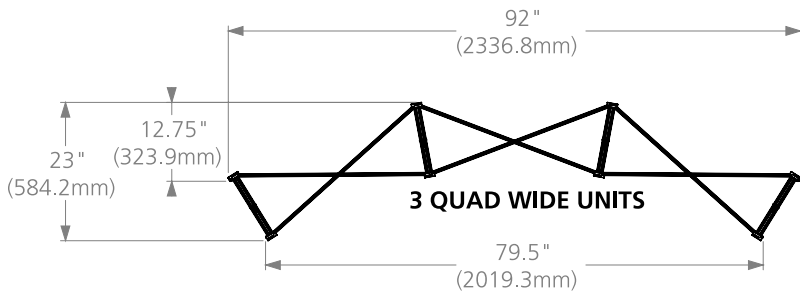
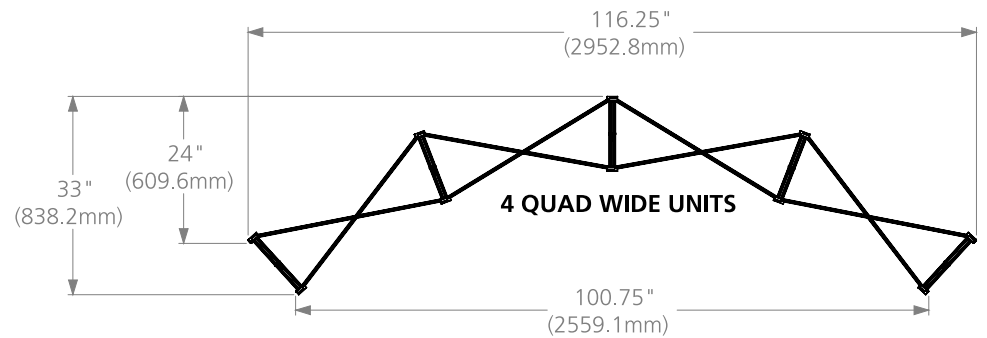
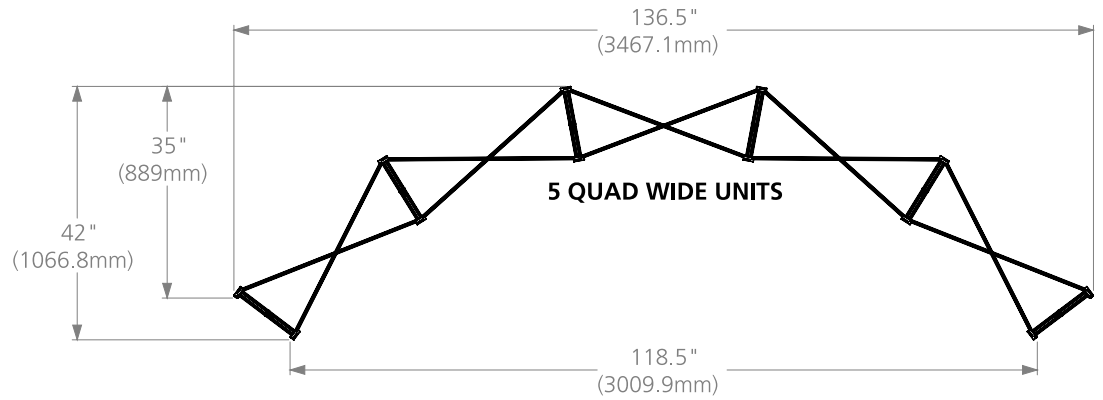
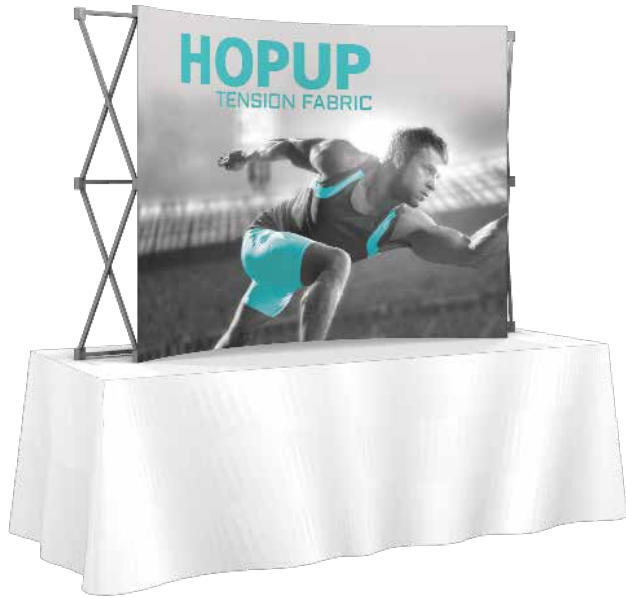
When packing unit in the bag, ensure that the strap is not partially wrapped around an arm. If it is, the arm will snap when pulled out of the bag.



Do not use the purple locking arm to lift unit. ALWAYS lift by the frame.

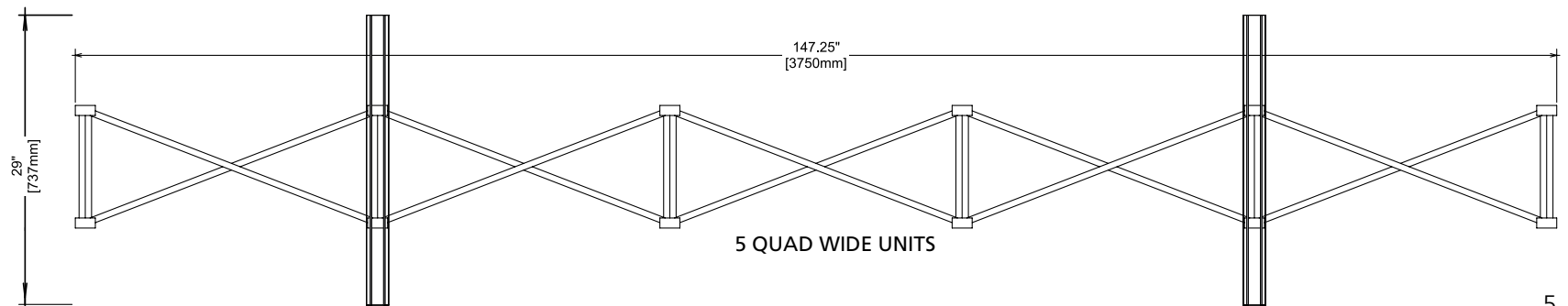
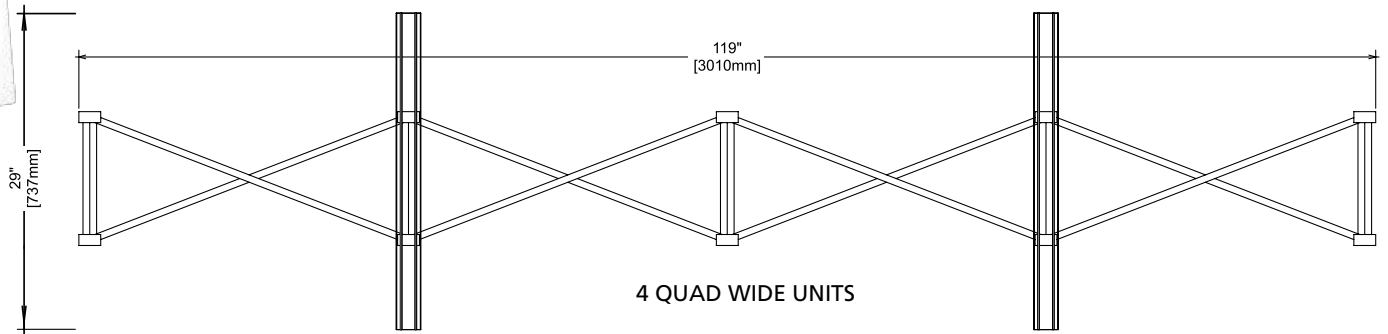
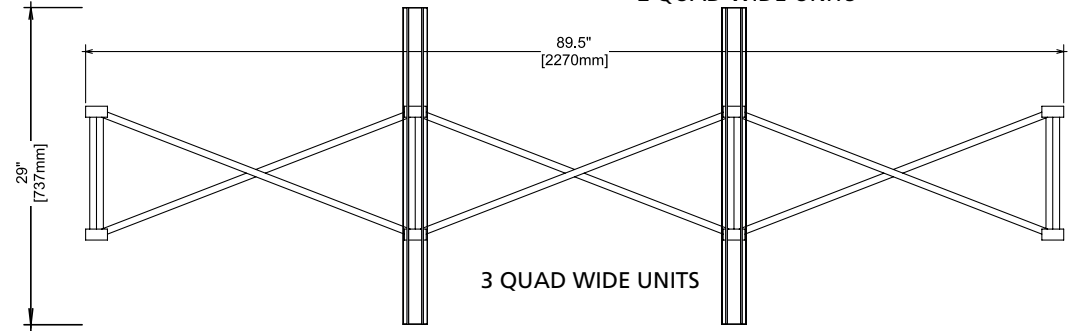
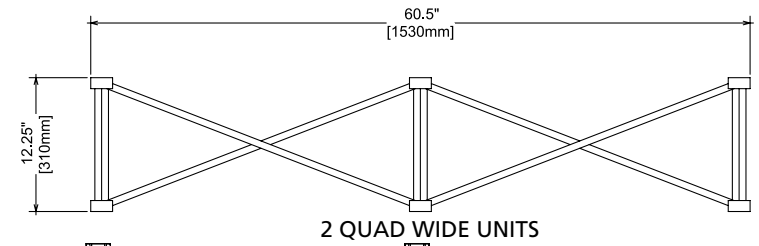
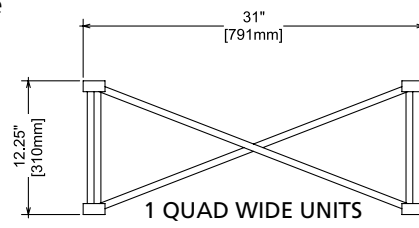
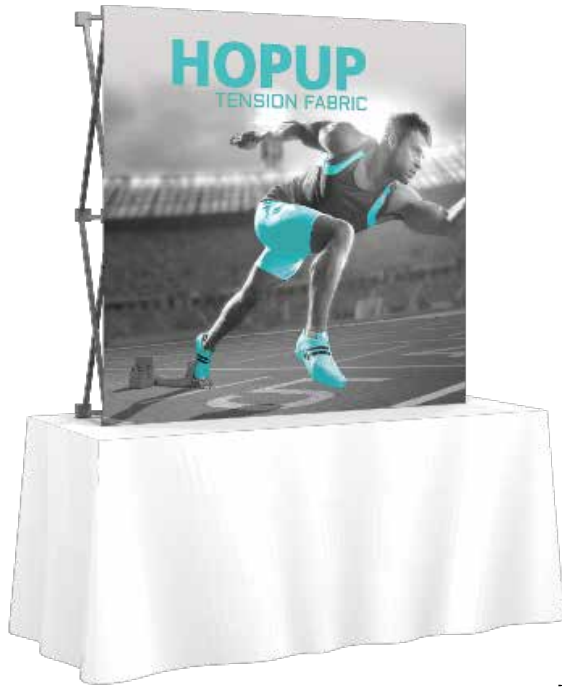
# Curved Hopup

The curved HopUp gives your tension fabric backwall visual interest and dimension.



# Straight Hopup

Straight Hopup frame footprints fit in a 10' x 10' space, with the exception of 5 quad wide units which fit in a 10' x 13' space. Stabilizer feet present on all straight frames 3 quads high.



# Check out these related products:



Hopup 1x1 Straight



Hopup 2x1 Straight



Hopup 2x2 Straight



Hopup 3x2 Straight



Hopup 1x3 Straight



Hopup 2x3 Straight



Hopup 3x3 Straight



Hopup 4x3 Straight



Hopup 5x3 Straight



Hopup 2x2 Curved



Hopup 3x2 Curved



Hopup 2x3 Curved



Hopup 3x3 Curved



Hopup 4x3 Curved



Hopup 5x3 Curved



Hopup counter