

Dash

An excellent choice for a tripod banner stand, the Dash is available as a single sided or double sided banner stand. It is made of anodized aluminum and has an optional literature pocket to add even more functionality. It is very stable and is quick and easy to erect. A carry bag is included.



Features and Benefits

- Quick to assemble and easy to use
- Lightweight aluminium components
- Snap frame rails enable easy graphic changes
- Dash and Dash Mega include carry bag
- Comes in anodized silver
- Optional literature pocket

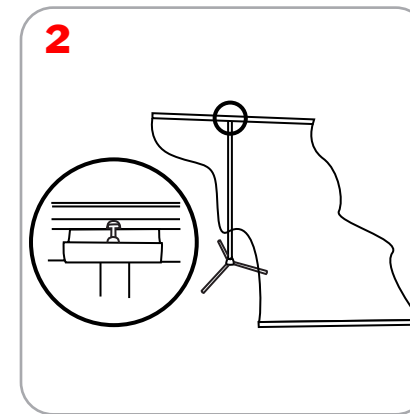
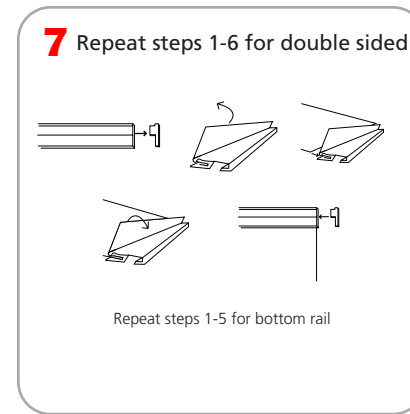
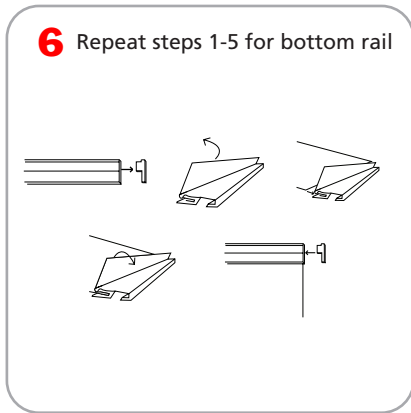
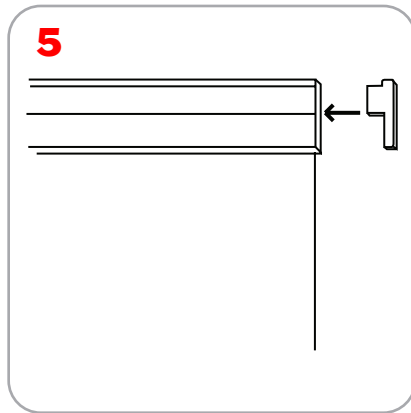
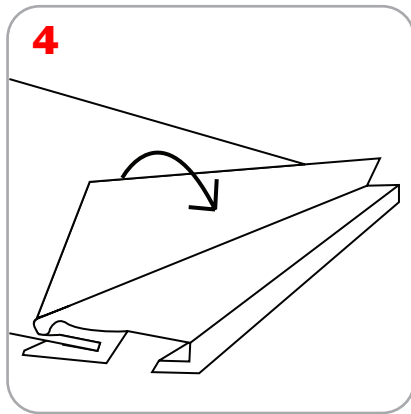
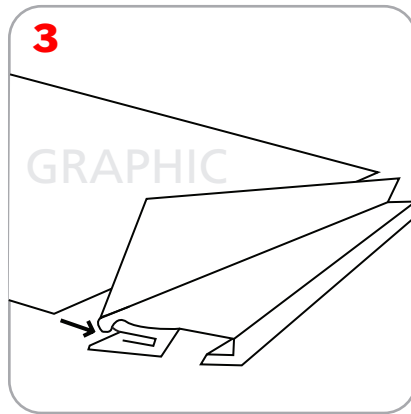
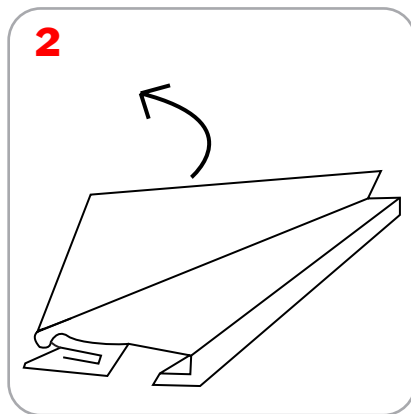
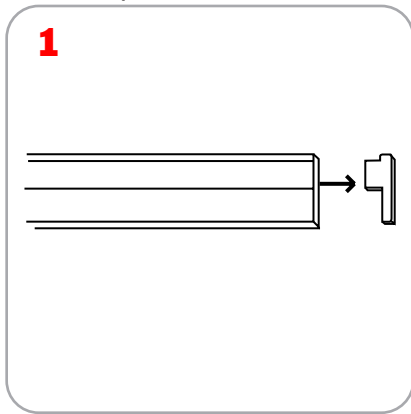
Dimensions

Hardware Dimensions	Graphic Dimensions
19" d x 36" w x Variable Heights 482.6m d x 914.4mm w x Variable Heights Weight: 3.7 lbs / 1.68kg	Graphic Dimensions: Dash Mini: 31.5" w x up to 78.5" h (plus .5" bleed at the top and bottom of the graphic) Dash Mega: 36" w x up to 93.5" h (plus 3/4" bleed at the top and bottom of the graphic) Dash Mini w/ Lit Pocket: 31.5" w x 44" h (plus .5" bleed at the top and bottom of each graphic) Contour Cuts Available

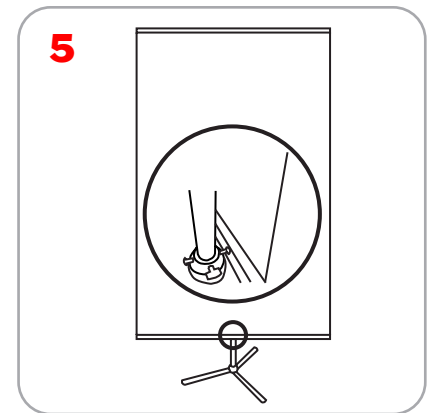
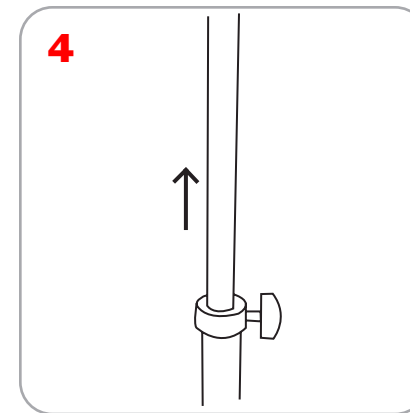
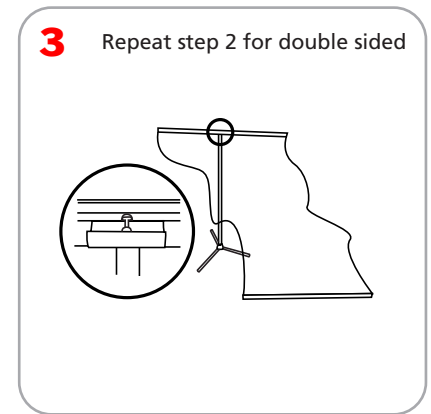
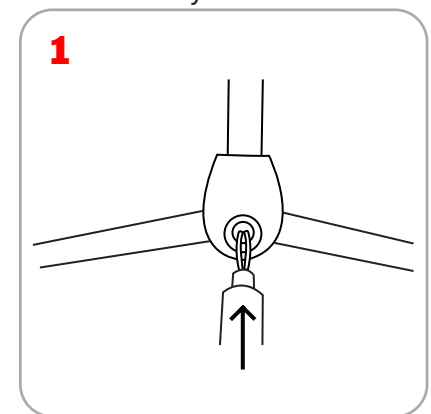
Additional Information

Shipping Dimensions: 49" x 8" x 8" (approx.) 1244.6" x 203.2" x 203.2"	Recommended substrate: 13 oz. smooth vinyl, 7 oz. light cotton, 14 oz. anti-curl vinyl, 8 oz. oxford
Shipping Weight: 11 lbs / 5kg (approx.)	Literature Pocket: An optional 3 pocket literature dispenser fits on the Dash only, not available for Dash Mega Each pocket is 10" w x 12" h (254mm x 305mm) Unit Size: 31.25" w x 12.5" h (794mm x 317mm)
Recommended Light: Lumina 2	

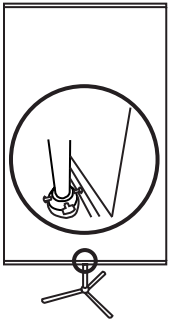
Dash Graphic Attachment



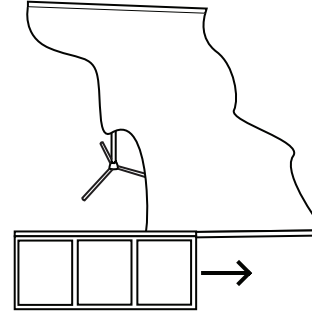
Dash Assembly



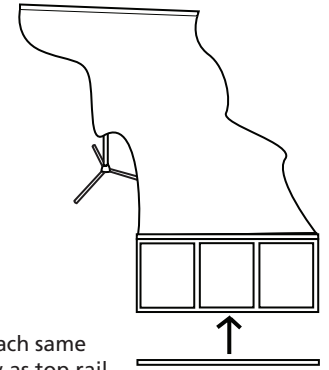
6 Repeat step 5 for double sided



5

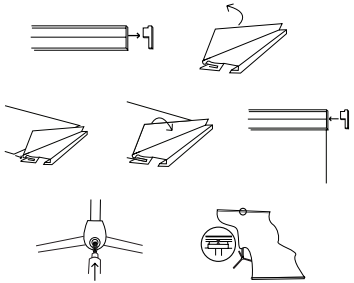


6

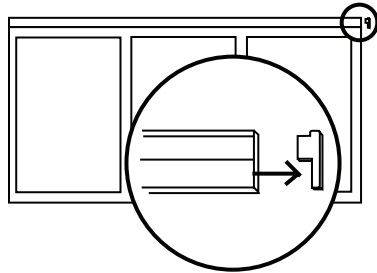


Lit Pocket Assembly

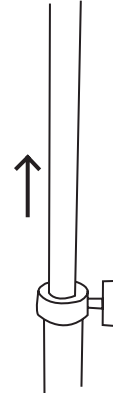
1 Follow steps 1-5 of graphic attachment and steps 1-2 of Dash Assembly



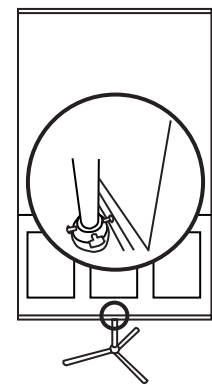
2



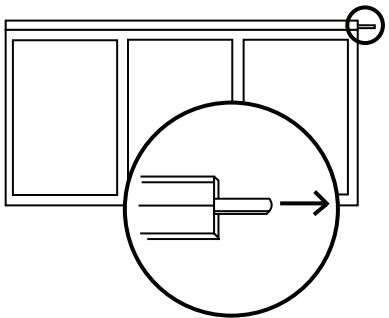
7



8



3



4

